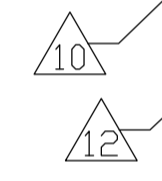
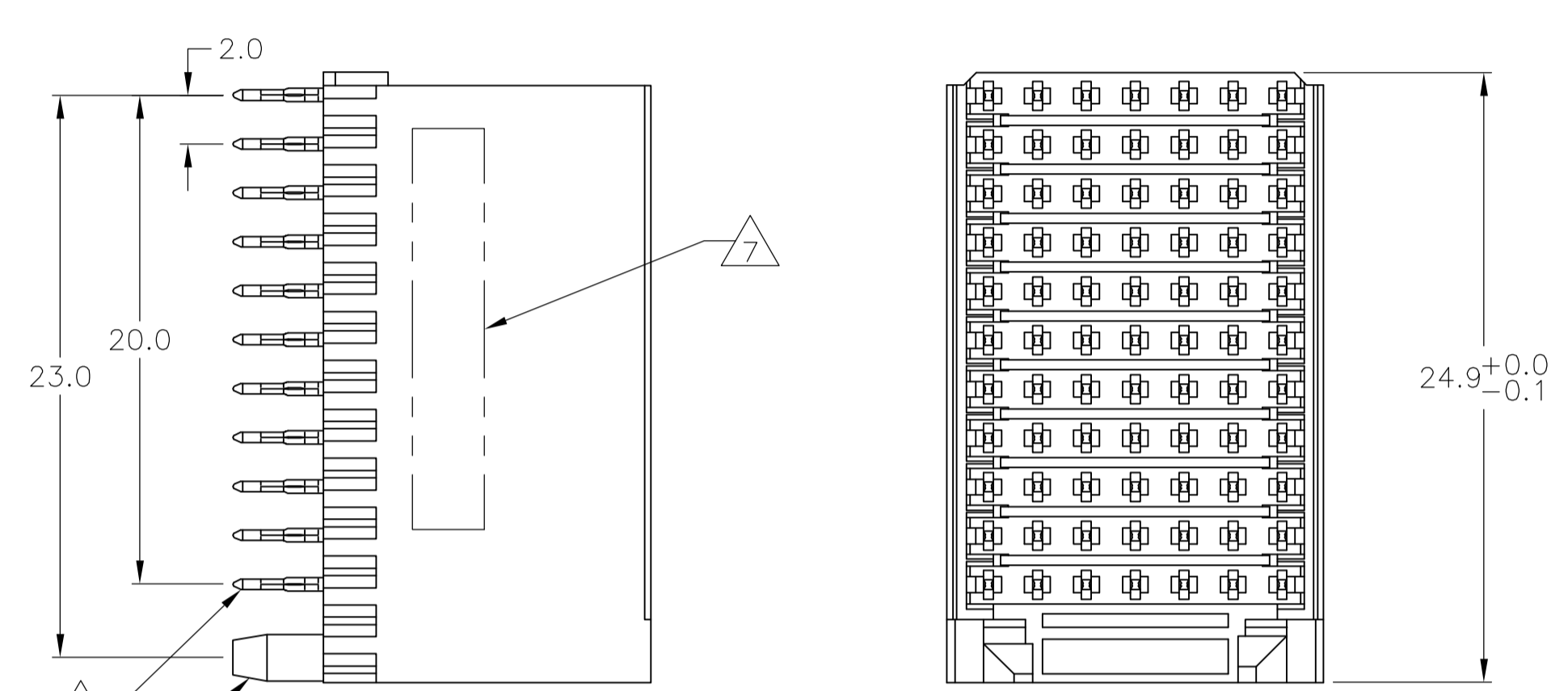
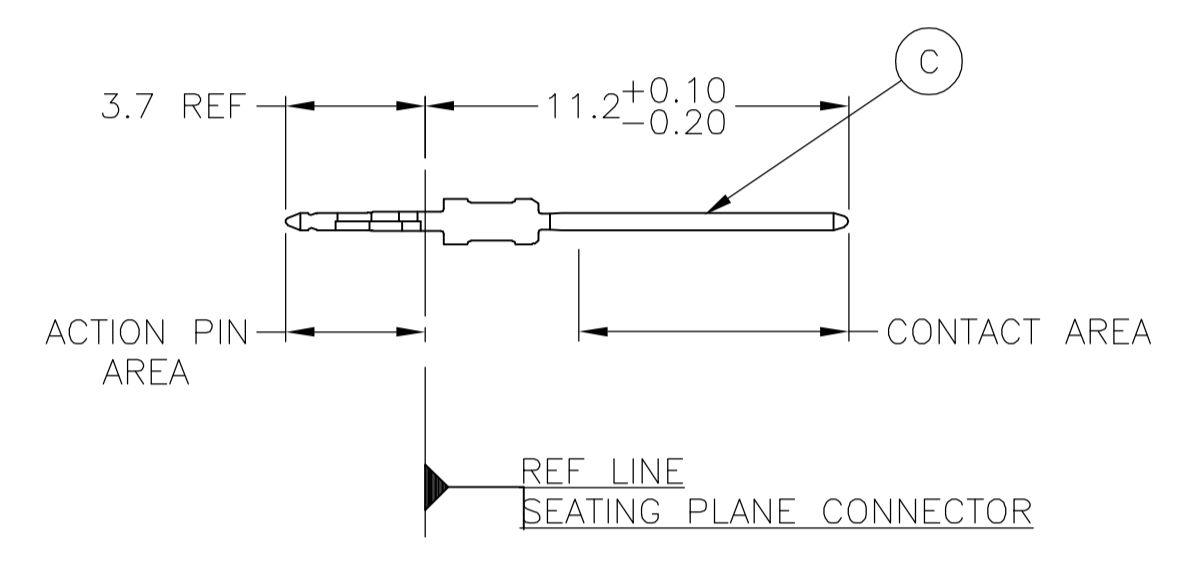
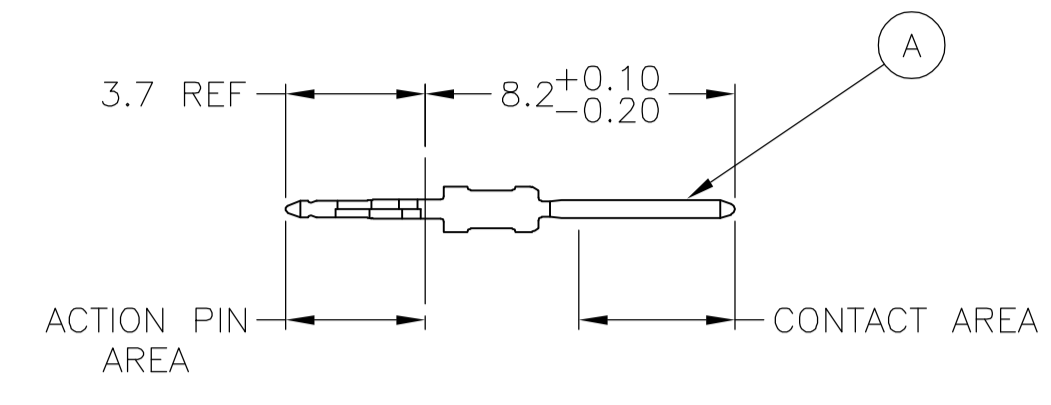


### CONNECTOR ASSEMBLY EXAMPLARY LOADED

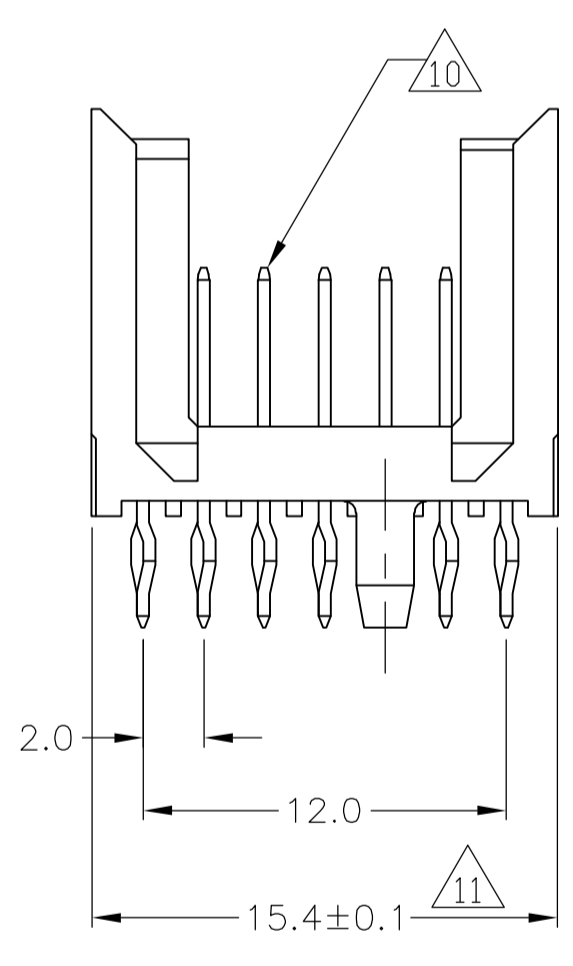
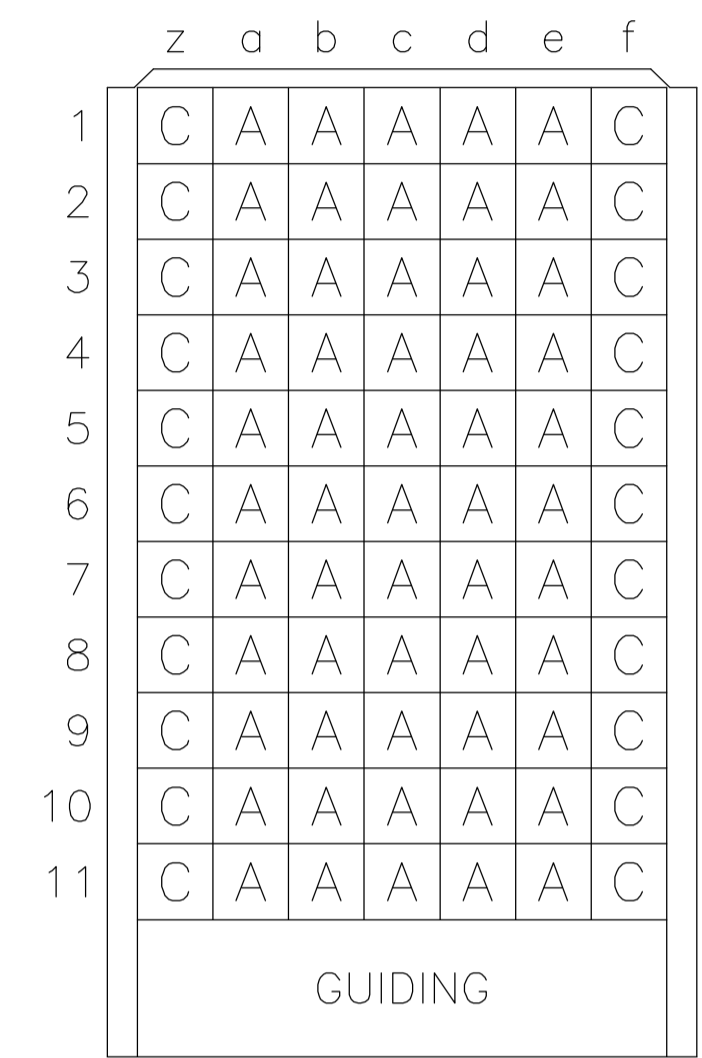


### CONTACT DIMENSIONS

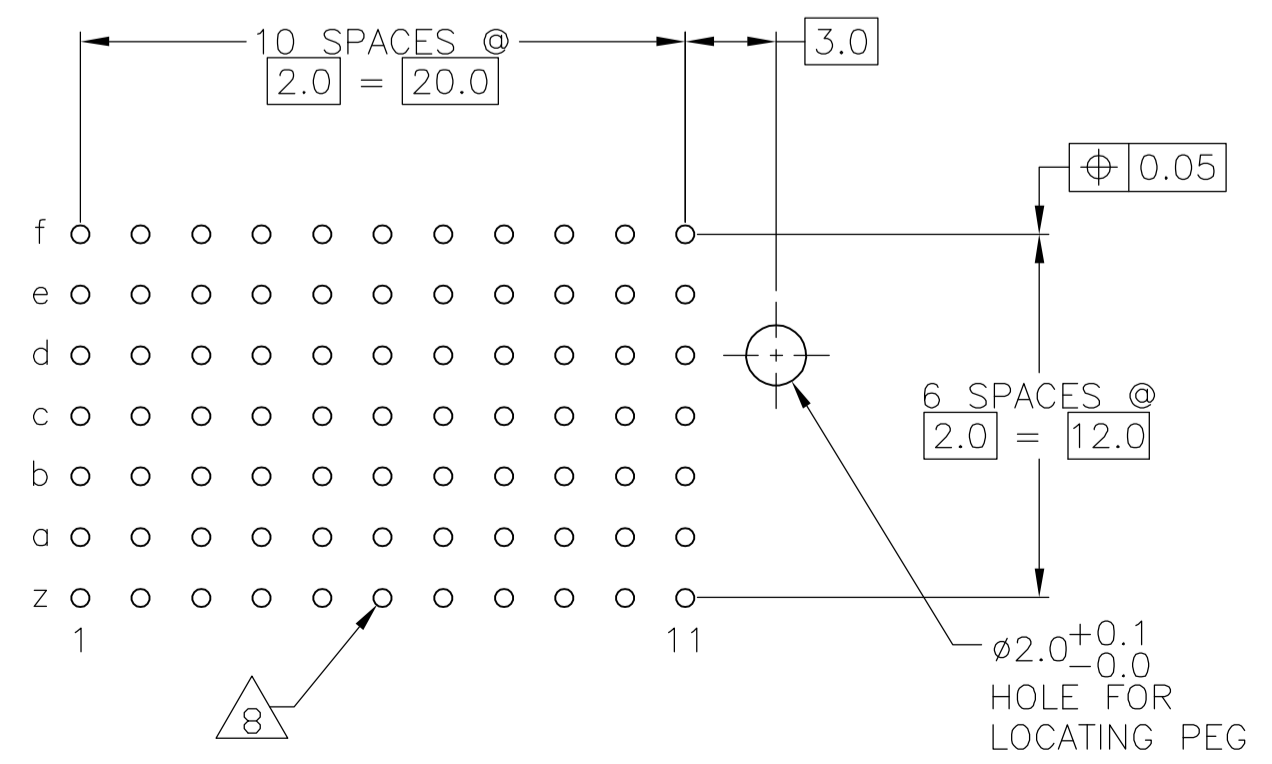
SCALE 5:1



### CONTACT LAYOUT



### RECOMMENDED PCB-HOLE LAYOUT COMPONENT SIDE SHOWN



### PLATED THRU HOLES PARAMETERS REFERENCE APPLICATION SPECIFICATION

|        |             |
|--------|-------------|
| 2 6 13 | 1-5106081-9 |
| 2 5 13 | 5106081-9   |
| 2 4    | 5106081-4   |
| 2 3    | 5106081-1   |
| FINISH | PART NUMBER |

|  |  |                              |   |  |
|--|--|------------------------------|---|--|
| THIS DRAWING IS A CONTROLLED DOCUMENT. |  | DIN B CARBO 24JAN05          | Tyco Electronics Corporation<br>Harrisburg, Pa 17105-3608 |  |
| DIMENSIONS: mm                         |  | CHK G SKIPPER 24JAN05        | NAME MALE ASSEMBLY, Z-PACK 2mm HM, TYPE C                 |  |
| TOLERANCES UNLESS OTHERWISE SPECIFIED: |  | APVD G SKIPPER 24JAN05       | PRODUCT SPEC 108-19082                                    |  |
| 0 PLC ± -                              |  | APPLICATION SPEC 114-19029   |   |  |
| 1 PLC ± 0.2                            |  | SIZE A1                      |   |  |
| 2 PLC ± 0.02                           |  | CAGE CODE 00779              |   |  |
| 3 PLC ± 0.005                          |  | DRAWING NO 5106081           |   |  |
| 4 PLC ± -                              |  | RESTRICTED TO -              |   |  |
| ANGLES ± 0.30°                         |  | CUSTOMER DRAWING             |   |  |
| MATERIAL 1                             |  | SCALE 4:1 SHEET 1 OF 2 REV B |   |  |

| LOC | DIST | REVISIONS   |      |     |      |
|-----|------|-------------|------|-----|------|
| P   | LTR  | DESCRIPTION | DATE | DNW | APVD |
| AD  | 00   | SEE SHEET 1 | -    | -   | -    |

- 1 MATERIAL:  
CONTACT: PHOSPHOR BRONZE.  
HOUSING: GLASS-FILLED POLYESTER.
- 2 GENERAL PLATING SPECIFICATION: UNDERPLATING  
(ENTIRE CONTACT): 1.27µm MIN NICKEL AND ACTION  
PIN: 0.5µm MIN TIN.  
FOR PLATING OF MATING SURFACES SEE APPLICABLE  
SPECIFICATION REFERENCE FOR EACH DASH NUMBER.
- 3 CONFORMS TO ALL TESTING ACCORDING TO IEC 61076-4-101  
PERFORMANCE LEVEL 2.
- 4 CONFORMS TO ALL TESTING ACCORDING TO IEC 61076-4-101  
PERFORMANCE LEVEL 1.
- 5 CONNECTOR TESTED AND QUALIFIED AGAINST TELCORDIA GR-1217-CORE QUALITY LEVEL 3,  
CENTRAL OFFICE APPLICATIONS.
- 6 CONNECTOR TESTED AND QUALIFIED AGAINST TELCORDIA GR-1217-CORE QUALITY LEVEL 3,  
UNCONTROLLED ENVIROMENT APPLICATIONS.
- 7 CONNECTOR MARKED WITH PART NUMBER AND DATE CODE.  
ADDITIONAL CHARACTERS OR MARKINGS, AS WELL AS THE LOCATION OF THE MARKINGS,  
MAY BE ADDED FOR TRACEABILITY BASED UPON MANUFACTURERS DISCRETION.
- 8 PLATED-THROUGH HOLES AT 2x2mm SQUARE GRID  
PATTERN DEFINED BY CONTACT LAYOUT.
- 9 FOR ACTUAL PIN LOADING SEE "CONTACT LAYOUT".
- 10 FOR ACTUAL PIN DIMENSIONS SEE "CONTACT DIMENSIONS".
- 11 TO BE MEASURED AT BOTTOM OF SHROUD.
- 12 LOCATION PEG.
- 13 CONNECTOR LUBRICATED WITH BELCORE APPROVED LUBRICANT,  
TECHNICAL REFERENCE: TR-NWT-001217 ISSUE 1, SEP 1992.

|  |  |                               |         |                            |   |            |
|--|--|-------------------------------|---------|----------------------------|---|------------|
| THIS DRAWING IS A CONTROLLED DOCUMENT. |  | DIN<br>B CARBO                | 24JAN05 | <b>tyco</b><br>Electronics | Tyco Electronics Corporation<br>Harrisburg, Pa 17105-3608 |            |
| DIMENSIONS:<br>mm                      |  | CHK<br>G SKIPPER              | 24JAN05 |                            | NAME<br>MALE ASSEMBLY, Z-PACK 2mm HM,<br>TYPE C           |            |
| TOLERANCES UNLESS OTHERWISE SPECIFIED: |  | APVD<br>G SKIPPER             | 24JAN05 | PRODUCT SPEC<br>108-19082  |   |            |
| 0 PLC ± -                              |  | APPLICATION SPEC<br>114-19029 |         | SIZE                       | CAGE CODE   | DRAWING NO |
| 1 PLC ± 0.2                            |  | RESTRICTED TO                 |         | A1                         | 00779   | C=5106081  |
| 2 PLC ± 0.02                           |  | MATERIAL<br>SEE SHEET 1       |         | WEIGHT                     | -   |            |
| 3 PLC ± 0.005                          |  | FINISH<br>SEE SHEET 1         |         | CUSTOMER DRAWING           |   |            |
| 4 PLC ± ± 0.30°                        |  | SCALE                         |         | 4:1                        | SHEET   | 2 OF 2     |
| ANGLES                                 |  | REV                           |         | B                          |   |            |